

Bezüge ALP-5400B-V1



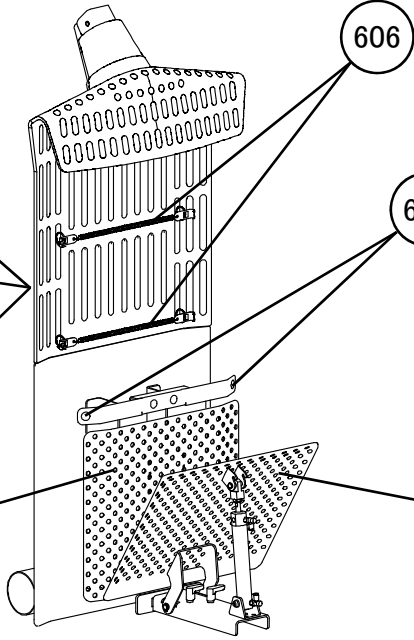
601



602



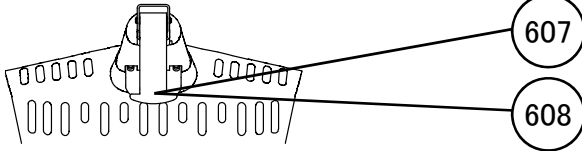
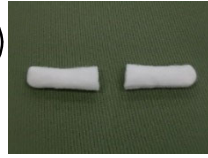
603



606

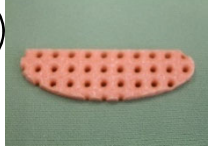
605

604

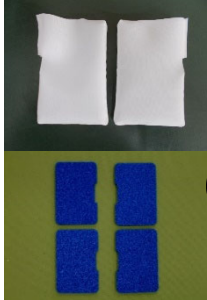


607

608



609



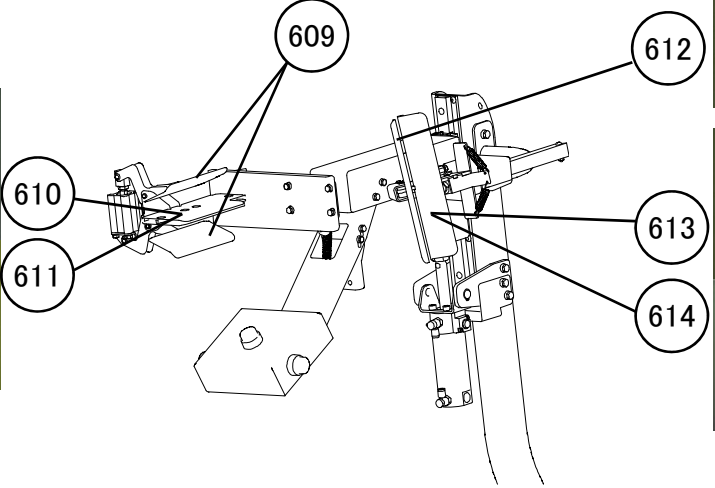
610

611

612

613

614



Bezüge ALP-5400B-V1

Nummer	Artikelname	Artikelnr.	Stück	Info
601	Body Silicone	SAS1B602	1	
602	Body Felt Pad 8mm	SAS1B601	1	
603	Body Cover	SAS1B600	1	
604	Tail Clamp Cover	SAS1B603	1	
605	Rear Body Cover Protection	SAS1B597	2	
606	Spring unit	SACSP-UNT-010	2	
607	Neck Clamp Cover	SAS1B022	1	
608	Neck Clamp Silicone	SAS1B023	1	
609	No.2 Cuff Clamp Cover	SAS1B040	4	
610	Cuff Clamp Cover	SAS1B609	2	
611	Cuff Midle H Silicone 6mm	SAS1D180	4	
612	Short Sleeve Cover	SAS1B017	2	
613	Short Sleeve Holder Cover	SAS1B028	2	
614	Adhesive Tabe	SAS1T002	2	



sankosha[®]
PRESS AND PROGRESS